



Touch Panel

tt Serie



PRODUCT DESCRIPTION

HMI Fanless Industrial Touchscreen All In One Panel PC

- Industrial multi-touch all-in-one panel PCs are durable and reliable.
- Supporting OEM/ODM
- customization service for global customers. We have offered a number of one-stop solutions for customers
- from domestic and abroad in industry of IoT, automation, intelligent terminal device etc.

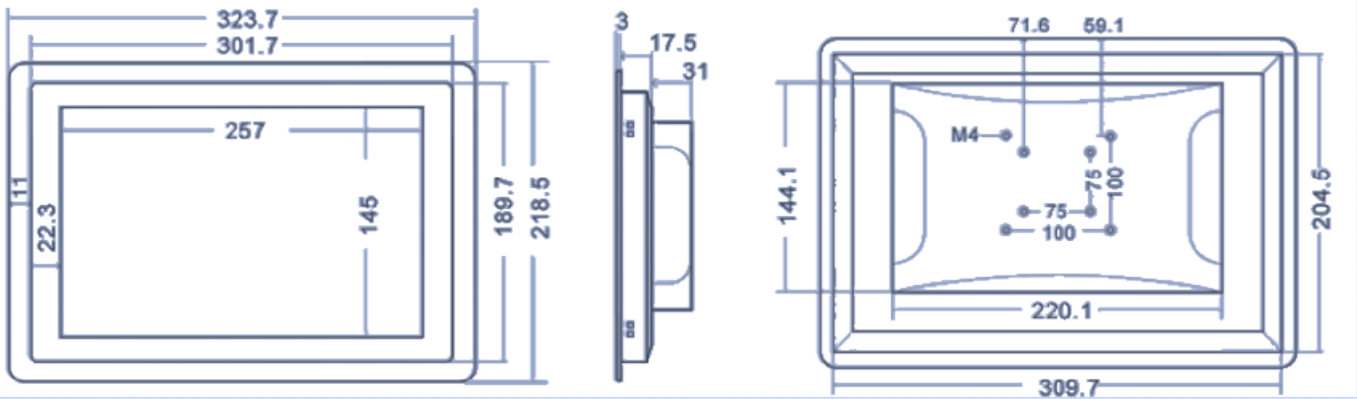


Advantages of Industrial All in One PC:

1. Standardized interfaces in hardware & software, support customization multitude interfaces.
2. Expandable HMI solutions with multiple configurations for access control system, face Recognition, identity authentication etc.
3. All industrial panel PC have passed International quality standards and related countries' certification and regulatory compliance.
4. Ease to install and operation, easy to main.
5. Pre-installing Windows 7,8,10 or Android system, supporting multi language.
6. Supporting customization service for global market.
7. All electronic components are based on industrial quality.

11.6" HD Product specification

Resolution: 1920*1080; Error: ±0.5mm; Wall mounted hole size: 75*75、100*100mm



PRODUCT PARAMETERS

❖ Screen parameters

Screen size	11.6 inch
Model	tt Serie
Resolution	1920*1080
Proportion	16:9 widescreen

❖ Motherboard parameters

CPU	Intel Dual Core 2,2GHz (i5 5200)
Hard Disk	64G SSD
Memory	8G DDR3
Audio	Integrated Audio Chip
Network	Integrated Gigabit LAN
Wireless network	built-in wifi antenna, support wireless connection
Graphics Cards	Integrated Graphics
System	Pre-installed windows10
Speakers	available

❖ Interface parameters

USB interface	8"-10.4":USB2.0*2, Other sizes: USB2.0*3+USB3.0*1
Serial Interface	8"-10.4": COM*1, Other Sizes: COM*2, Default RS232 Protocol , Can Change 422/485 Protocol
WIFI connector	WIFI antenna*1
Power Interface	DC 12V*1
High-definition interface	HDMI*1
Extended display	VGA*1, support for synchronous dual display and differential display
Network interface	RJ-45*1
Audio Interface	Audio I/O
Support extensions	Multiple industry interface support customization

❖ Display parameters

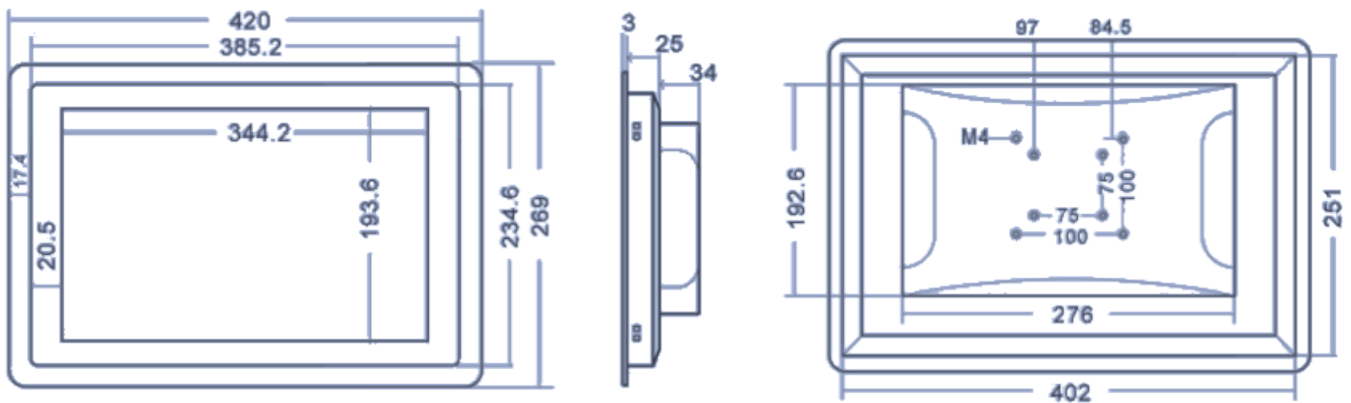
Color	16.7M
Point distance	0.264mm
Screen Panel	Industrial control panel
Contrast	1000:1
Display brightness	400cd/m2 (customizable high brightness above 400cd/m2)
View angle	(H160 (V) 160, customizable wide viewing angle 178°
Backlight type	LED backlit screen Lifetime ≥ 50000h
Gray-scale response time	5ms
Touch Optional	Resistive/Capacitive/Infrared Touch Screen
Installation method	Embedded, desktop, wall-mounted, cantilever

❖ Other parameters

Power	12V-5A Professional External Power Adapter
Power consumption	≤60W
Working temperature	-10°C~60°C
Storage temperature	-20°C~60°C
Relative humidity	0%-65% (without condensation)
Material	Full body made of aluminum alloy material
Color	Silver Black
Warranty Policy	One year free warranty
Degree of protection	Front panel IP65 dustproof and waterproof
Packing list	Industrial Tablet PC / Mounting Accessories / Power Cord / Power Adapter / Driver CD / Manual / Warranty Card

15.6" HD Product specification

Resolution: 1366*768; Error: ±1mm; Wall mounted hole size: 75*75, 100*100mm



PRODUCT PARAMETERS

❖ Screen parameters

Screen size	15.6 inch
Model	tt Serie
Resolution	1366*768
Proportion	16:9 widescreen

❖ Motherboard parameters

CPU	Intel Dual Core 2,2GHz (i5 5200)
Hard Disk	64G SSD
Memory	8G DDR3
Audio	Integrated Audio Chip
Network	Integrated Gigabit LAN
Wireless network	built-in wifi antenna, support wireless connection
Graphics Cards	Integrated Graphics
System	Pre-installed windows10
Speakers	avilable

❖ Interface parameters

USB interface	8"-10.4":USB2.0*2, Other sizes: USB2.0*3+USB3.0*1
Serial Interface	8"-10.4": COM*1, Other Sizes: COM*2, Default RS232 Protocol, Can Change 422/485 Protocol
WIFI connector	WIFI antenna*1
Power Interface	DC 12V*1
High-definition interface	HDMI*1
Extended display	VGA*1, support for synchronous dual display and differential display
Network interface	RJ-45*1
Audio Interface	Audio I/O
Support extensions	Multiple industry interface support customization

❖ Display parameters

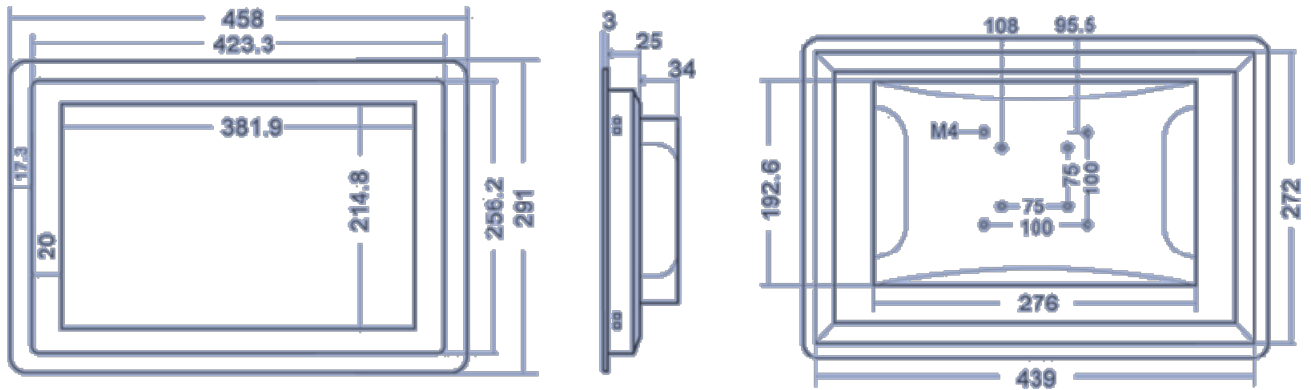
Color	16.7M
Point distance	0.264mm
Screen Panel	Industrial control panel
Contrast	1000:1
Display brightness	400cd/m2 (customizable high brightness above 400cd/m2)
View angle	(H160 (V) 160, customizable wide viewing angle 178°
Backlight type	LED backlit screen Lifetime ≥ 50000h
Gray-scale response time	5ms
Touch Optional	Resistive/Capacitive/Infrared Touch Screen
Installation method	Embedded, desktop, wall-mounted, cantilever

❖ Other parameters

Power	12V-5A Professional External Power Adapter
Power consumption	≤60W
Working temperature	-10°C~60°C
Storage temperature	-20°C~60°C
Relative humidity	0%-65% (without condensation)
Material	Full body made of aluminum alloy material
Color	Silver Black
Warranty Policy	One year free warranty
Degree of protection	Front panel IP65 dustproof and waterproof
Packing list	Industrial Tablet PC / Mounting Accessories / Power Cord / Power Adapter / Driver CD / Manual / Warranty Card

17.3" HD Product specification

Resolution: 1920*1080; Error: ±1mm; Wall mounted hole size: 75*75、100*100mm



PRODUCT PARAMETERS

❖ Screen parameters

Screen size	17.3 inch
Model	tt Serie
Resolution	1920*1080
Proportion	16:9 widescreen

❖ Motherboard parameters

CPU	Intel Dual Core 2,2GHz (i5 5200)
Hard Disk	64G SSD
Memory	8G DDR3
Audio	Integrated Audio Chip
Network	Integrated Gigabit LAN
Wireless network	built-in wifi antenna, support wireless connection
Graphics Cards	Integrated Graphics
System	Pre-installed windows10
Speakers	avilable

❖ Interface parameters

USB interface	8"-10.4":USB2.0*2, Other sizes: USB2.0*3+USB3.0*1
Serial Interface	8"-10.4": COM*1, Other Sizes: COM*2, Default RS232 Protocol, Can Change 422/485 Protocol
WIFI connector	WIFI antenna*1
Power Interface	DC 12V*1
High-definition interface	HDMI*1
Extended display	VGA*1, support for synchronous dual display and differential display
Network interface	RJ-45*1
Audio Interface	Audio I/O
Support extensions	Multiple industry interface support customization

❖ Display parameters

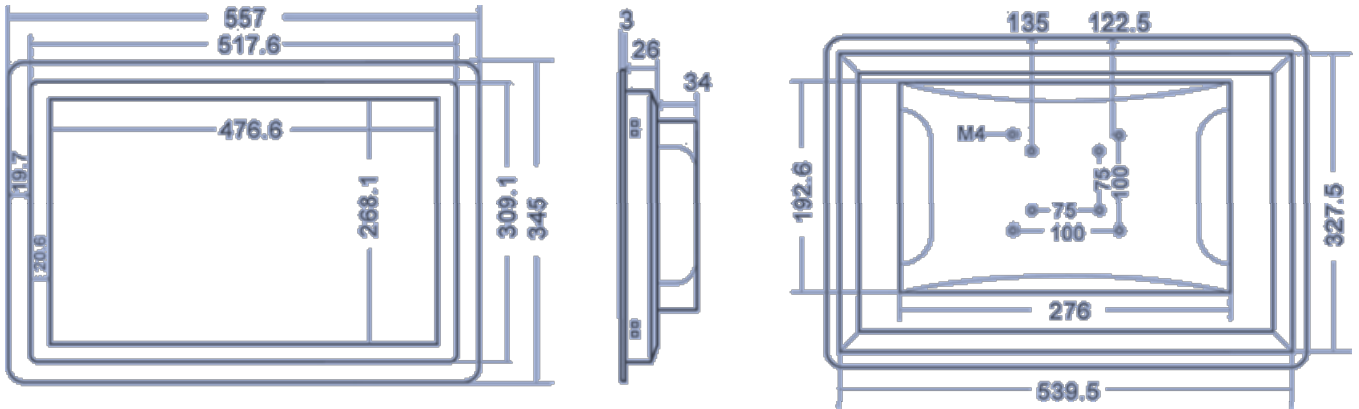
Color	16.7M
Point distance	0.264mm
Screen Panel	Industrial control panel
Contrast	1000:1
Display brightness	400cd/m2 (customizable high brightness above 400cd/m2)
View angle	(H160 (V) 160, customizable wide viewing angle 178°
Backlight type	LED backlit screen Lifetime ≥ 50000h
Gray-scale response time	5ms
Touch Optional	Resistive/Capacitive/Infrared Touch Screen
Installation method	Embedded, desktop, wall-mounted, cantilever

❖ Other parameters

Power	12V-5A Professional External Power Adapter
Power consumption	≤60W
Working temperature	-10°C~60°C
Storage temperature	-20°C~60°C
Relative humidity	0%-65% (without condensation)
Material	Full body made of aluminum alloy material
Color	Silver Black
Warranty Policy	One year free warranty
Degree of protection	Front panel IP65 dustproof and waterproof
Packing list	Industrial Tablet PC / Mounting Accessories / Power Cord / Power Adapter / Driver CD / Manual / Warranty Card

21.5" HD Product specification

Resolution: 1920*1080; Error: ±1mm; Wall mounted hole size: 75*75、100*100mm



PRODUCT PARAMETERS

❖ Screen parameters

Screen size	21.5 inch
Model	tt Serie
Resolution	1920*1080
Proportion	16:9 widescreen

❖ Motherboard parameters

CPU	iIntel Dual Core 2,2GHz (i5 5200)
Hard Disk	64G SSD
Memory	8G DDR3
Audio	Integrated Audio Chip
Network	Integrated Gigabit LAN
Wireless network	built-in wifi antenna, support wireless connection
Graphics Cards	Integrated Graphics
System	Pre-installed windows10
Speakers	avilable

❖ Interface parameters

USB interface	8"-10.4":USB2.0*2, Other sizes: USB2.0*3+USB3.0*1
Serial Interface	8"-10.4": COM*1, Other Sizes: COM*2, Default RS232 Protocol, Can Change 422/485 Protocol
WIFI connector	WIFI antenna*1
Power Interface	DC 12V*1
High-definition interface	HDMI*1
Extended display	VGA*1, support for synchronous dual display and differential display
Network interface	RJ-45*1
Audio Interface	Audio I/O
Support extensions	Multiple industry interface support customization

❖ Display parameters

Color	16.7M
Point distance	0.264mm
Screen Panel	Industrial control panel
Contrast	1000:1
Display brightness	400cd/m2 (customizable high brightness above 400cd/m2)
View angle	(H160 (V) 160, customizable wide viewing angle 178°
Backlight type	LED backlit screen Lifetime ≥ 50000h
Gray-scale response time	5ms
Touch Optional	Resistive/Capacitive/Infrared Touch Screen
Installation method	Embedded, desktop, wall-mounted, cantilever

❖ Other parameters

Power	12V-5A Professional External Power Adapter
Power consumption	≤60W
Working temperature	-10°C~60°C
Storage temperature	-20°C~60°C
Relative humidity	0%-65% (without condensation)
Material	Full body made of aluminum alloy material
Color	Silver Black
Warranty Policy	One year free warranty
Degree of protection	Front panel IP65 dustproof and waterproof
Packing list	Industrial Tablet PC / Mounting Accessories / Power Cord / Power Adapter / Driver CD / Manual / Warranty Card



Address:

iimex europe KG
Frankfurter Str. 49
15306 Seelow Germany

Phone: +4933468519004

e-mail: touchpanel@herry24.com